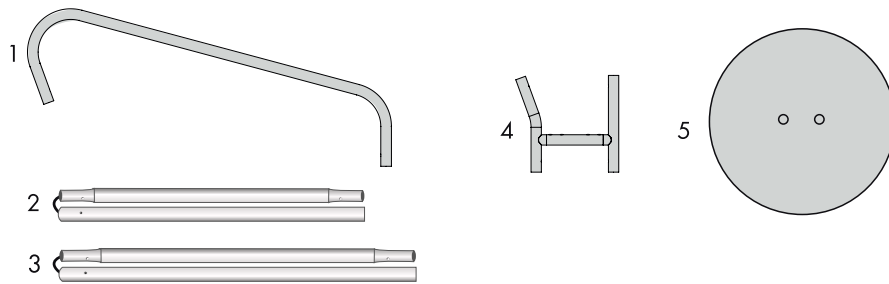


ZIPPER BANNER TRIANGLE

Product Parts

- 1 - Top Pole
- 2 - Side pole
- 3 - Side pole
- 4 - Base fixing part
- 5 - Base



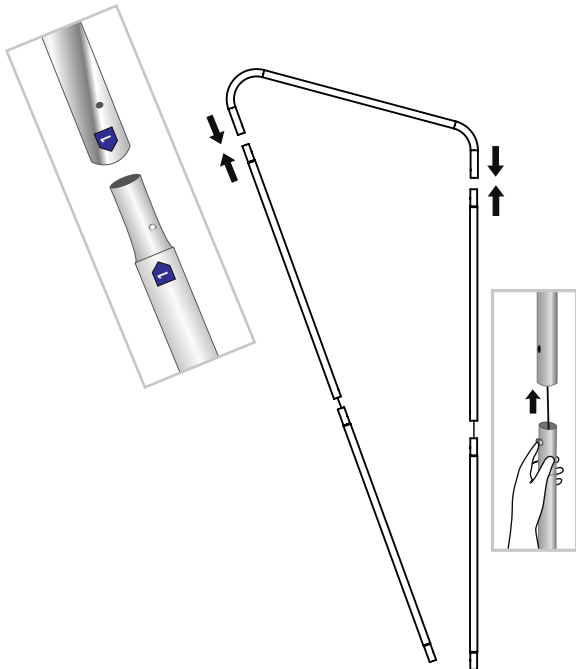
Display Set-Up

Step 1

Begin by removing all parts from the carry case and place on a clean, flat surface. Ensure you have all the components listed above.

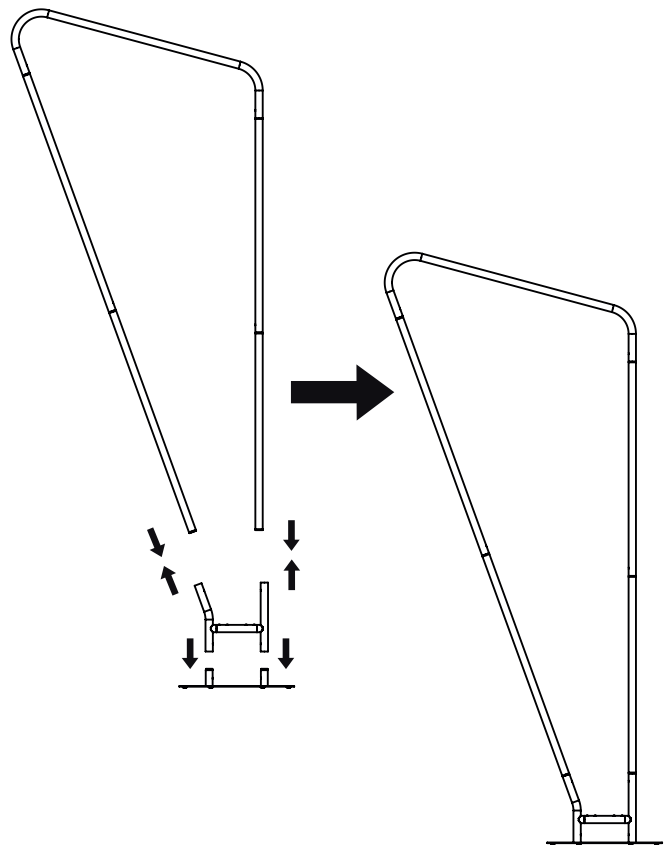
Step 2

Assemble all the poles by connecting the corresponding numbers together while pressing the snap button as shown.



Step 3

Continue to connect the poles illustrated in the image below.



Step 4

Drrape the Graphic over the hardware.

Storage & Care

Place all product parts into Carry Case and store in a cool dry location. Recommended for indoor use only. Machine wash on gentle cycle using mild detergent. Tumble Dry No Heat. Do NOT dry clean, Do NOT Iron.